

INOXIHP
POLAND

INOXIHP
ABOUT USING WATER

»»»»»»»» COMPONENTS AND SYSTEMS FOR HIGH PRESSURE WATER ««««««««

ABOUT USING WATER

Presented by:

Mirosław Groński

Inoxihp – reliable competence:

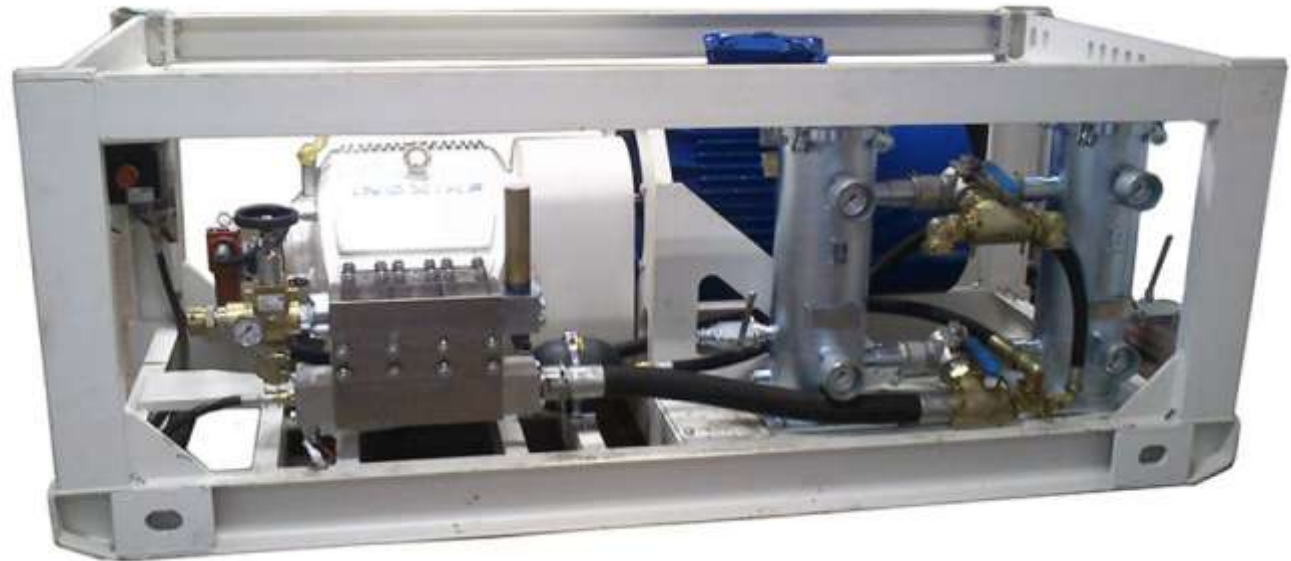
- INOXIHP s.r.l. is an ISO 9001 Company located in Italy (in the northern surroundings of Milan) and has been designing and manufacturing systems and components for high pressure water for over 35 years.
- Part of Interpump group



INOXIHP POLAND

Inoxihp – reliable competence:

- INOXIHP Poland Sp. z o.o. is a company located in Poland and specializing in underground mining pumping stations since 2009 with over 100 pumps installed in polish mines.



Inoxihp – reliable competence:

- In accordance with INOXIHP Quality Management System, in our workshop we strictly control the production flow and all the incoming materials from our qualified sub-suppliers. On the other hand, every component or assembly is checked and tested before leaving our premises.



Inoxihp – reliable competence:

- Thanks to its extensive experience, today INOXIHP is one of the world leaders in the market for reciprocating high pressure horizontal plunger pumps, valves and accessories for several applications, mainly in the steel and mining industries and hydraulic testing.



INOXIHP POLAND

Inoxihp – reliable competence:

- Our main strengths are in the excellent reliability of our products, even in heavy duty conditions, joined with easy and low cost maintenance. Additionally, flexibility and quick response to Customer needs, coupled with our competitive pricing and high quality products, makes INOXIHP leader in the market.



Products offered:

Pumping skid ZPI 36/307

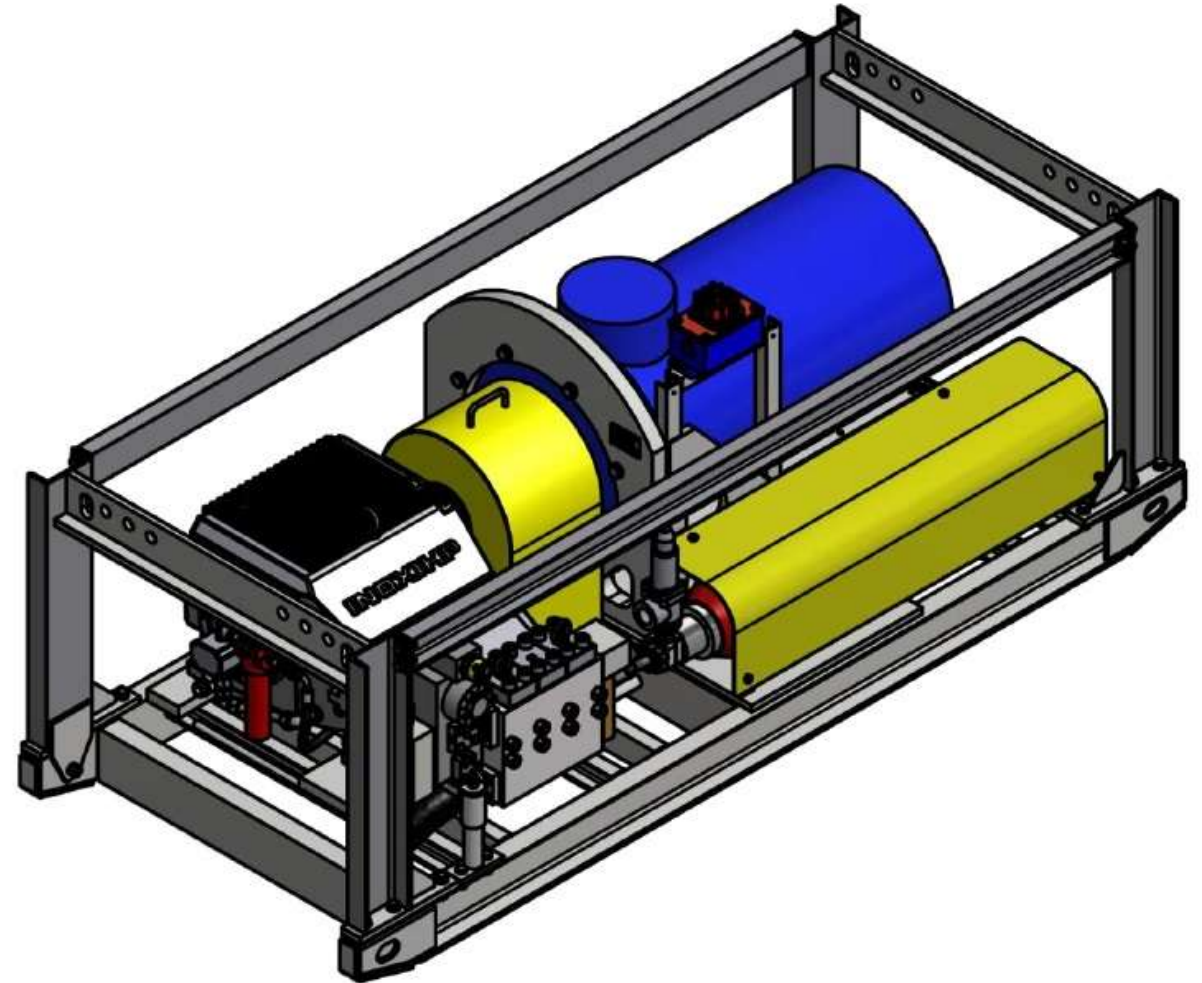
Flow: 307 l/min

Working pressure: 36 Mpa

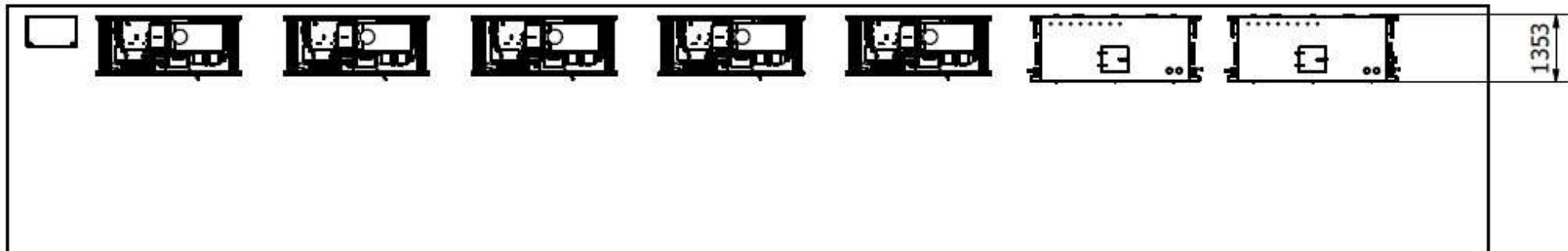
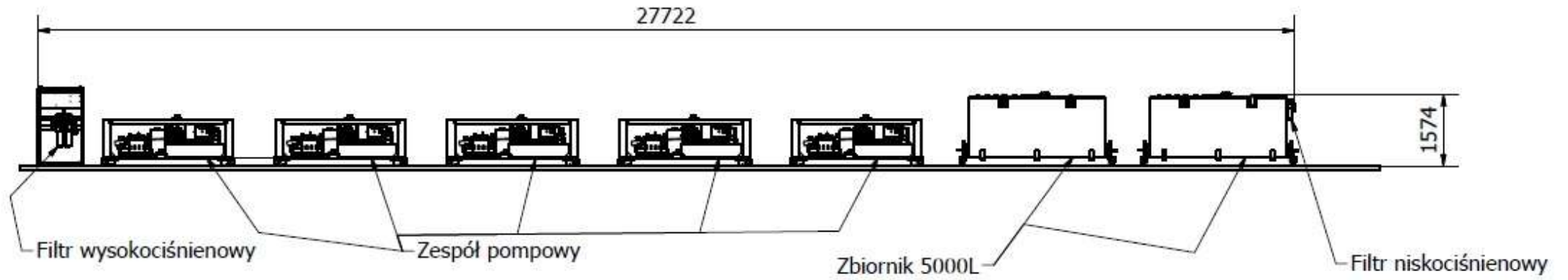
Motor: 200 kW 660/1140 V [Celma]

Pump: PM350 M55 Q45 D4A

Dimensions: 2924x1122x1190 [mm]



Products offered: total size – 5 x ZPI 36/307



Products offered:

Pumping skid ZPI 10/306

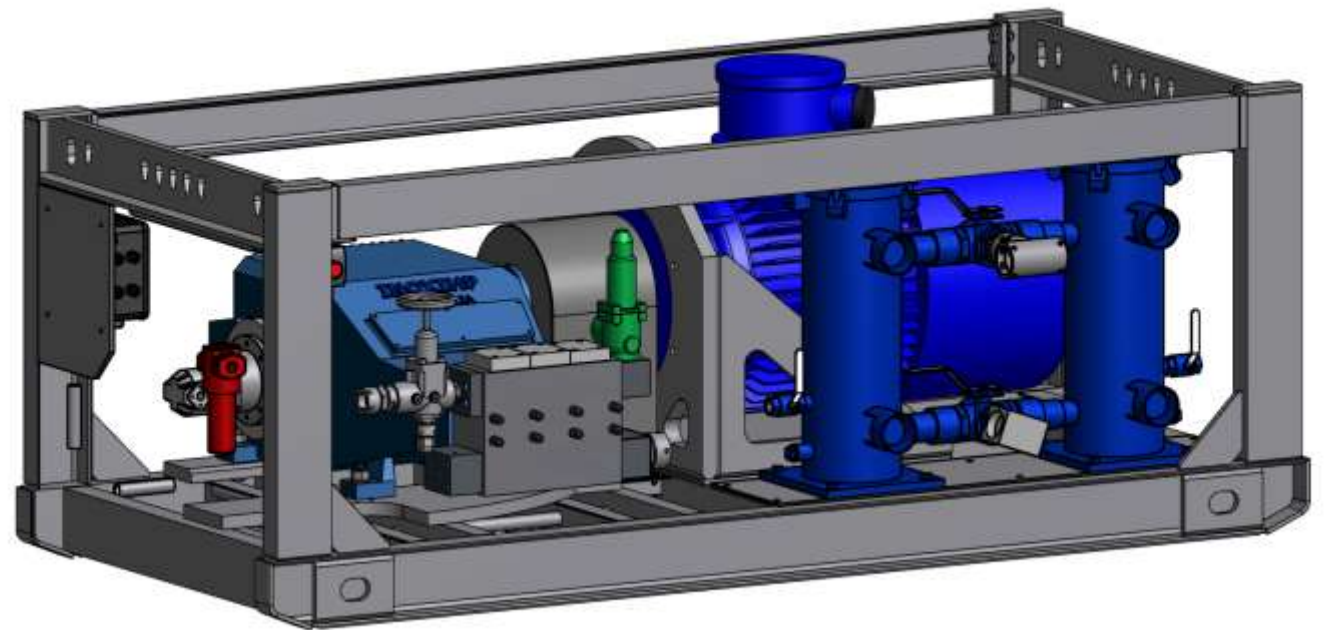
Flow: 306 l/min

Working pressure: 10 Mpa

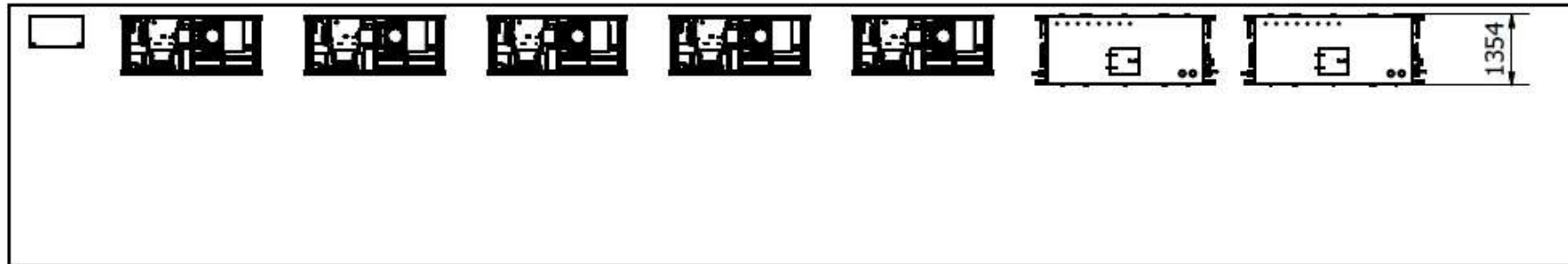
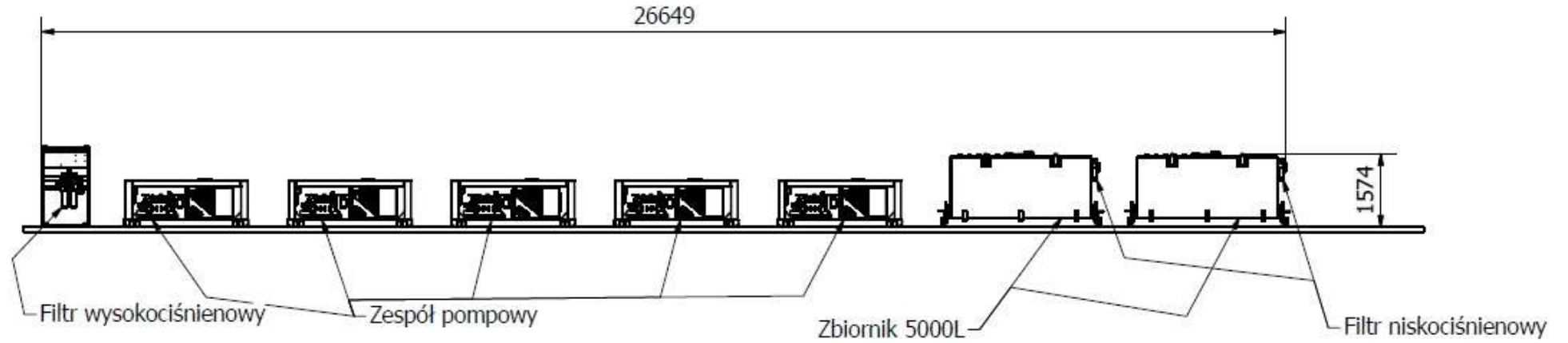
Motor: 55 kW 660/1140 V [Celma]

Pump: PM150 E60 T35 D3

Dimensions: 2660x1120x1000 [mm]

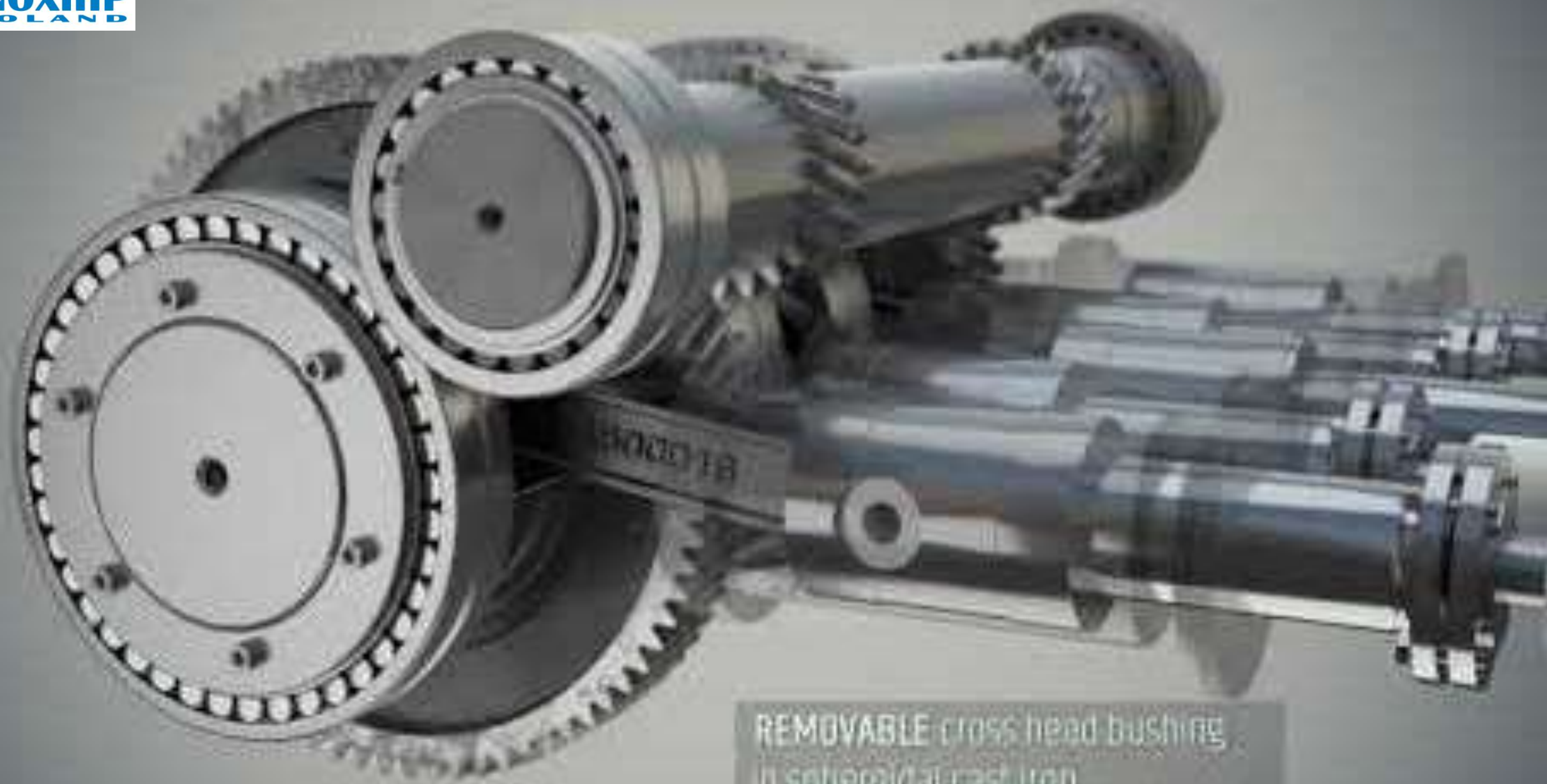


Products offered: total size – 5 x ZPI 10/307



Thank you for your attention!

Mirosław Groński
Area manager



REMOVABLE cross head bushing
in spherical cast iron

POSITION	Chock Pump #1 (Hauhinco)	Chock Pump #2 (Kamat)	Chock Pump #3 (Inoxihp)	Water Pump (Hauhinco)
1	97.4 dB	97.1 dB	93.1 dB	99.5 dB
2	97.0 dB	95.5 dB	92.3 dB	100.9 dB
3	95.1 dB	94.0 dB	93.2 dB	99.1 dB
4	97.3 dB	96.0 dB	93.0 dB	100.0 dB
5	97.7 dB	98.7 dB	93.1 dB	99.2 dB
6	99 dB	97.7 dB	94.5 dB	102.2 dB
<i>Average:</i>	<i>97.25 dB</i>	<i>96.50 dB</i>	<i>93.20 dB</i>	<i>100.15 dB</i>

POSITION	Chock Pump #1 (Hauhinco)	Chock Pump #2 (Kamat)	Chock Pump #3 (Inoxihp)
Motor NDE Bearing	30 °C	34 °C	30 °C
Motor DE Bearing	37 °C	38 °C	35 °C
Pump Input Shaft Bearing	61 °C	68 °C	59 °C
Pump Crank Shaft DE Bearing	63 °C	57 °C	51 °C
Pump Crank Shaft NDE Bearing	64 °C	58 °C	57 °C